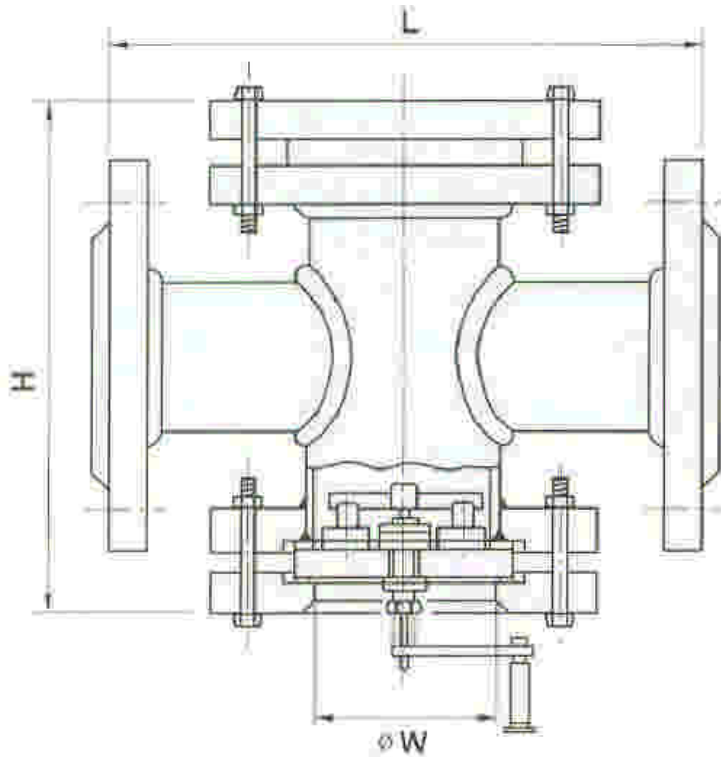


Wiper Type Sight Glass

After long use, the windows in storage tanks, towers, vessels and large diameter pipes may become obscured by sludge, dust or oil. However, if a wiper is installed, most, if not all materials obscuring the window can easily be removed.

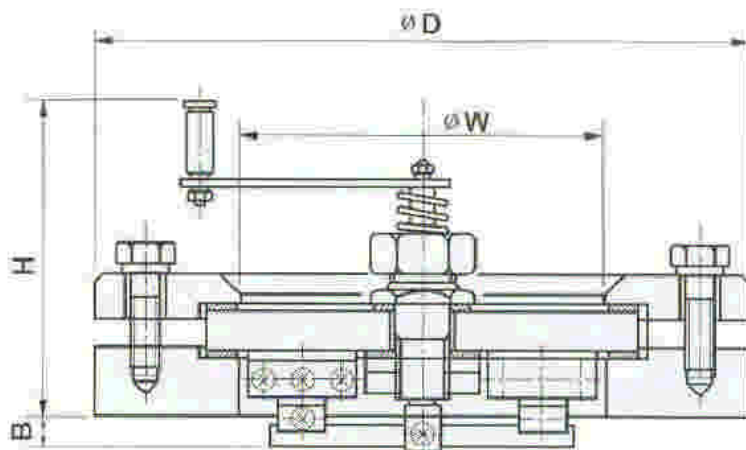
■ Model: KSG7



■ DIMENSIONS

Size A(")	L	H	W
80(3)	270	250	80
100(4)	320	280	100
125(5)	380	330	120
150(6)	420	360	150
200(8)	500	430	200
250(10)	600	520	250
300(12)	600	600	300
350(14)	600	650	300

■ Model : KSG7-1



■ DIMENSION

Type	D	W	H	B
300A	445	300	175	25
250A	400	250	170	25
200A	330	200	140	25
150A	280	150	140	20
125A	250	120	135	20
100A	195	100	130	20

C & F T Flowmeters & Chlorinators
TECHNOLOGIES

Specialists in flow metering and chlorination applications
Phone: +27 11 792 4588 Fax: +27 11 792 8494
email: sales@cftechflowmeters.co.za
website: www.cftechflowmeters.co.za