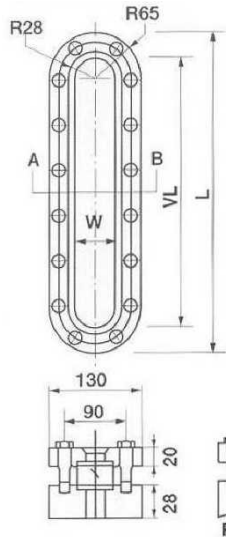
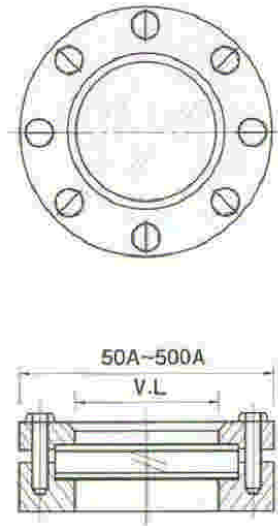


## Welding Pad Type Sight Flow

### Model: KSG6



### Model: KSG6-1



### Dimensions

Description	Size
W	50mm+
V.L.	L-80 mm
L	100 mm ~ 800 mm
Glass Thickness	15/19 mm

### Materials

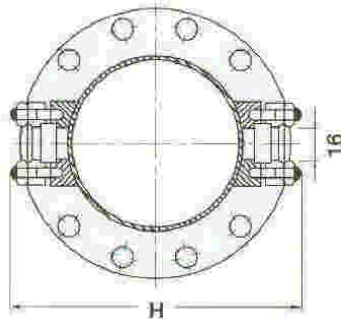
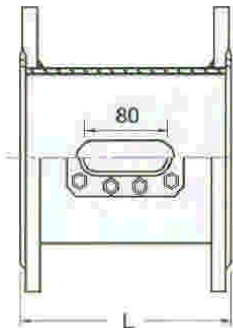
Description	Material
Body	SS41-SUS304/316
Cover	SS41-SUS304
Gasket	Non-Asbestos/Teflon
Glass	Tempered

Max. Pressure: 10 – 30 bar

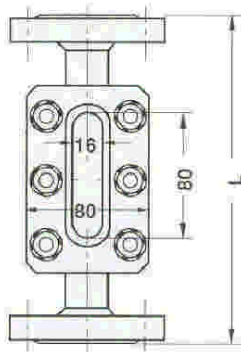
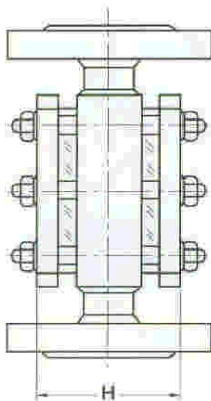
Max. Temperature: 300°C

## Side Type Sight Flow

### Model: KSG5-1



### Model: KSG5-2



### DIMENSIONS

Size A(")	L	H	Model
15(1/2)	250	85	KSG5-2
20(3/4)	250	85	
25(1)	250	95	
40(1-1/2)	250	125	
50(2)	250	140	
65(2-1/2)	250	142	KSG5-1
80(3)	250	176	
100(4)	250	200	
150(6)	250	252	
200(8)	250	302	
250(10)	250	380	
300(12)	250	430	

### SPECIFICATION

Connections: Flanged to DIN or ANSI spec

Max. Pressure: 0 – 100 bar

Max. Temperature: 400°C

Glass: Borosilicate

**C & F T** Flowmeters & Chlorinators  
**TECHNOLOGIES**

Specialists in flow metering and chlorination applications

Phone: +27 11 792 4588 Fax: +27 11 792 8494

email: sales@cftechflowmeters.co.za

website: www.cftechflowmeters.co.za