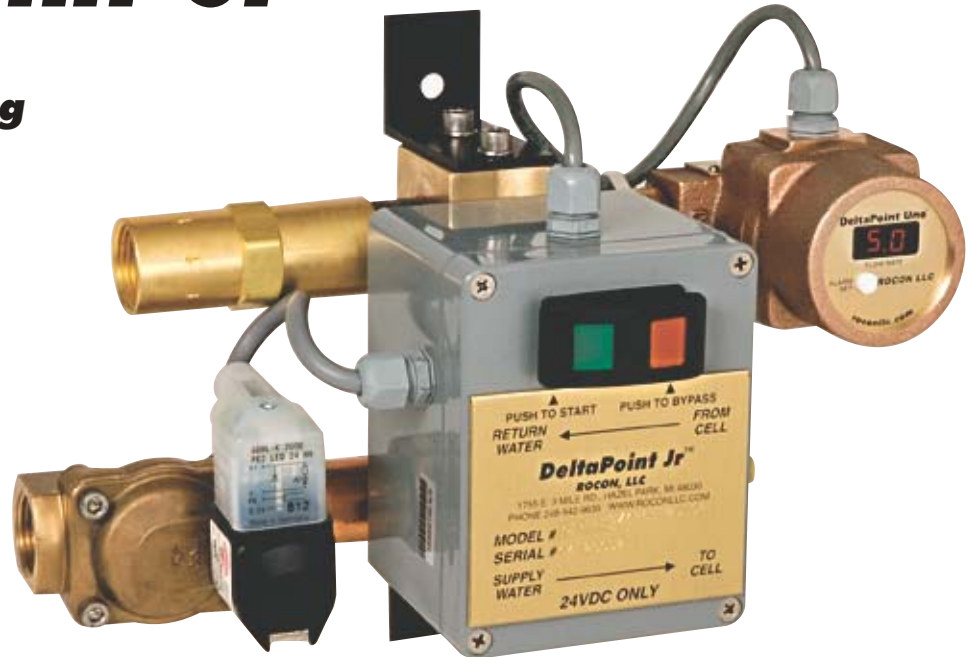


DeltaPoint Jr®

**Resistance welding
tip loss monitor
for steady flows**



Description

Deltapoint JR® detects tip loss in a resistance welding cell and thus assures quality welds. Flow out of the cell is measured with a vortex shedding flowmeter. If a leak is detected, an alarm is sent to the robot to stop welding and the water is shutoff. Dirty water will not cause nuisance tripping (like paddle wheels that jam or thermal dispersion units that coat and drift). Monitors weld guns, hard tooling and robotic cells. Measures flow in .4 to 25 GPM range.

Features

- LED digital display
- User selectable alarm (NPN or PNP)
- No moving parts to clog or wear
- Water/glycol coolant up to 20% mix
- Restart - High or Low
- Remote shutoff - 0 or 24 V
- Will not operate with out water flow, even in bypass mode
- Reads flow in GPM or LPM
- Toggle switch to restart, weld or bypass

Instrument specifications

- Accuracy: 5% FS flow
- Response time: 1 second for flow
- Flow from .4 to 25 GPM.
- Porting: 1/2 or 3/4 inch
Refer to "How To Order Model Code"

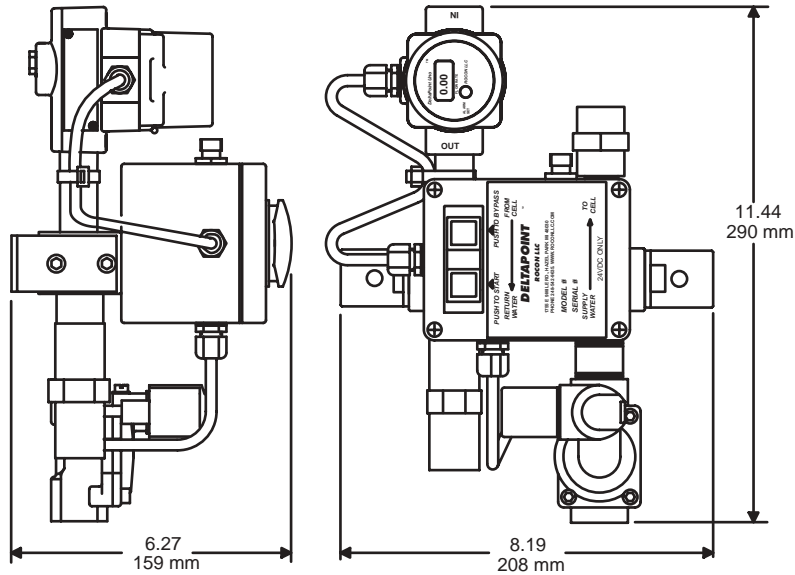
Electrical specifications

- 24 VDC

Outputs

- SSR (PNP or NPN)
- Visual water flow rate from cell

DIMENSION DRAWING



HOW TO ORDER

Select the appropriate symbols to build a model code:

EXAMPLE : **DPJ - A-6/4 - 6EF2D10 - N - *******

FLOW SWITCH RANGE

Flow Only	Port/Pipe Size in inches NPT for Supply and Return Lines	Port/Pipe Size in inches NPT for Pipes To and From Cell	Symbol
0.4 - 4 GPM (2 - 15 LPM).....	3/4.....	1/2.....	= A-6/4
1.2 - 12 GPM (5 - 45 LPM).....	3/4.....	1/2.....	= B-6/4
2.5 - 25 GPM (9 - 95 LPM).....	3/4.....	3/4.....	= C-6

SPECIAL OPTIONS IF REQUIRED

OPTIONS	
No Options Picked	= N
Shut-Off Valve - Air Operated	= A

ELECTRICAL

RECEPTACLE CONNECTOR

- 6 Pin - (Standard)..... = 6
- 6 Pin - (EOA - Direct Replacement).. = 6E

MANUFACTURER

- Factory Standard
- Others Consult Factory

CONNECTOR TYPE

- Mini
- Micro

VOLTAGE

- 24 Volt DC NPN (Sourcing) (24V A)... = D1
Not available for 3/4 inch units
- 24 Volt DC PNP (Sinking) (0V A)..... = D2

RESTART SIGNAL

- Std. 24 VDC = Active HIGH Restart ... = R
- 0 VDC = Active LOW Restart
- Not available for 3/4 inch units

ROCON LLC

1755 E. Nine Mile Road ▪ P.O. Box 249 ▪ Hazel Park, MI 48030
 Tel: 248-542-9635 ▪ Fax: 248-398-4274
 www.roconllc.com ▪ Email: sales@roconllc.com