

M7 - 1" PULSE & LC DISPLAY METERS

The M7 is a specialised meter for aggressive chemicals and water based products. It has the ability to handle a wide range of fluid viscosities with exceptional levels of repeatability and durability.



M7RRP-X

Product Benefits

- Compact size.
- Two independent pulse units.
- Flexibility of installation options (e.g. can be mounted horizontally or vertically; no flow conditioning required).
- Low pressure drop allows for economical pump selection or gravity flow applications.
- Meter construction enables fast and easy on-site servicing without removal from application.
- Meter design minimises the number of wearable and replaceable parts and extends product life.
- Meter accuracy is verified by factory calibration check after which an individual metrology report is issued.
- Pulse Version has IP65/NEMA9 protection.

MODEL	M7
METER TYPE	PULSE / STANDARD LC DISPLAY / DELUXE LC DISPLAY
METER BODY MATERIAL	PPS
WETTED COMPONENTS: ROTOR MATERIAL SHAFTS O-RING	PPS 316 St St or Hastalloy C (Optional Meter Model Designation C) NBR (NITRILE)
FLOW RATE RANGES (litres per minute/US gallons per minute)	
ABOVE 5 CPS	3 to 80 / 0.8 to 21
BELOW 5 CPS	8 to 70 / 2 to 18.5
ACCURACY- WITHIN (OF READING)	+/- 0.5%
REPEATABILITY	0.03%
MAXIMUM VISCOSITY (OF STANDARD MODEL)	1000 Centipoise
MAXIMUM OPERATING PRESSURE	1000kPa / 150PSI / 10BAR
PULSER TYPE	HALL EFFECT OR REED SWITCH OR COMBINATION HE / RS
PULSES PER LITRE/US GALLON	52/196.8
MAX. OPERATING TEMPERATURE	80°C / 176°F
RECOMMENDED MESH STRAINER SIZE	60 MESH



Standard LC Display



Deluxe LC Display

Port Size To order flowmeter you must replace 'X' with the relevant number. This number will determine the following specifications:

Port Size:

- 1 = 1" BSP (F) ports
- 2 = 1" NPT (F) ports

Calibrated In:

- Litres
- US Gallons

Electrical Conduit Connection:

- 20mm (F)
- 1/2" NPT (F)

PPS = Polyphenylene Sulfide Resins



M7 - 1" PULSE & LC DISPLAY METERS

Options & Accessories

M7 - 1" METER	VITON O-RING	TEFLON O-RING	EPDM O-RING	HIGH TEMP ROTORS	HIGH VISCOSITY ROTORS	HALL EFFECT SENSOR	REED SWITCH	SOLVENT KIT	HASTALLOY C SHAFTS	PROTECTIVE BOOT DELUXE LCD	EXTENDED LIFE BATTERY DELUXE LCD	REMOTE MOUNTED LC DISPLAY	HEATING JACKET	4-20mA MODULE
M7RRP-X	O	O	O	X	X	O	S	X	O	X	X	A	X	A
M7RRG-X	O	O	O	X	X	O	S	X	O	X	X	A	X	A
M7RRE-X	O	O	O	X	X	O	S	X	O	A	A	A	X	A

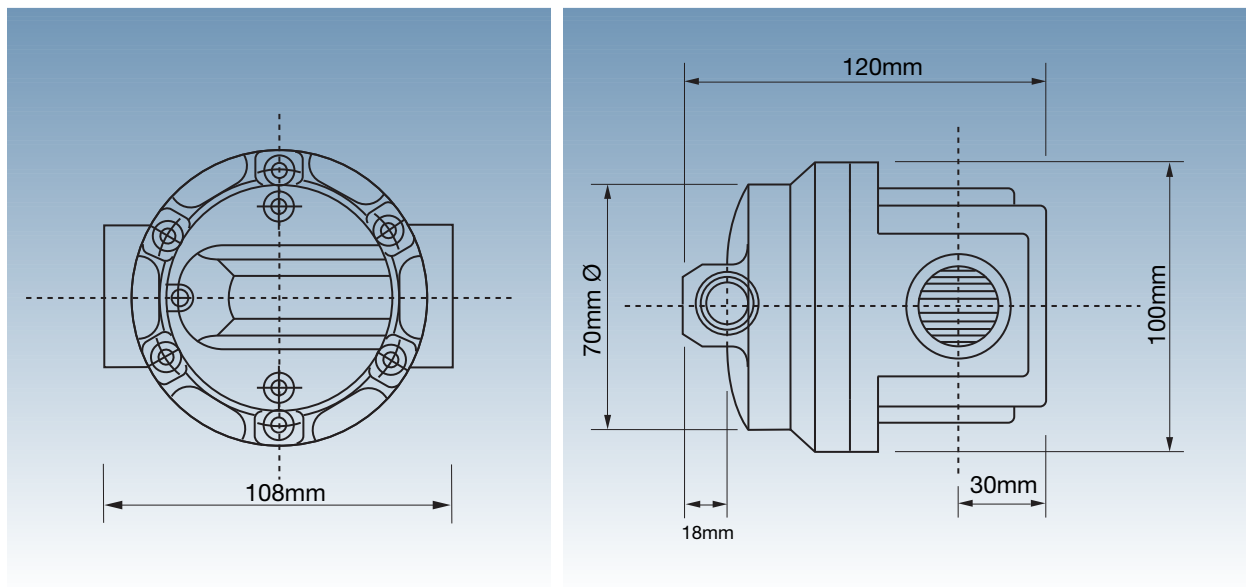
S = Standard

O = Optional

X = Not Available

A = Accessory

Dimensions



Standard Display H 137mm x W 137mm

Deluxe Display H 137mm x W 137mm