

# M4 - 1/2" PULSE & LC DISPLAY METERS

The M4 is a low to medium flow range model. It is a compact meter that has the ability to handle a wide range of fluid viscosities with exceptional levels of repeatability and durability.



M4ARP-X

## Product Benefits

- Compact size.
- Two independent pulse units.
- Flexibility of installation options (e.g. can be mounted horizontally or vertically; no flow conditioning required).
- Low pressure drop allows for economical pump selection or gravity flow applications.
- Meter construction enables fast and easy on-site servicing without removal from application.
- Meter design minimises the number of wearable and replaceable parts and extends product life.
- Meter accuracy is verified by a factory calibration check after which an individual metrology report is issued.
- Both LC Displays meet European CE directive for EMC.
- Deluxe Display Pulse Version has IP65/NEMA9 protection.
- Intrinsically safe LC Deluxe & Standard Displays. Certificate of conformity number PTB Nr. Ex-93.C.4033x & KEMA Ex-01.E1127x

MODEL	M4
METER TYPE	PULSE / STANDARD LC DISPLAY / DELUXE LC DISPLAY
METER BODY MATERIAL	ALUMINIUM / 316 STAINLESS STEEL
WETTED COMPONENTS:	
ROTOR MATERIAL	PPS / 316 STAINLESS STEEL
SHAFTS	316 STAINLESS STEEL
O'RING	NBR (NITRILE)
FLOW RATE RANGES (litres per minute/US gallons per minute)	
ABOVE 5 CPS	2 to 30 / 0.5 to 8
BELOW 5 CPS	3 to 25 / 0.8 to 6.60
ACCURACY- WITHIN (OF READING)	+/- 0.5%
REPEATABILITY	0.03%
MAXIMUM VISCOSITY (OF STANDARD MODEL)	1000 Centipoise
MAXIMUM OPERATING PRESSURE	5500kPa/ 800 PSI/ 55 BAR
PULSER TYPE	HALL EFFECT OR REED SWITCH OR COMBINATION HE / RS
PULSES PER LITRE/US GALLON	112/424
MAX. OPERATING TEMPERATURE	80°C / 176°F, High temp option 120°C / 248°F
RECOMMENDED MESH STRAINER SIZE	60 MESH



Standard LC Display



Deluxe LC Display

**Port Size** To order flowmeter you must replace 'X' with the relevant number. This number will determine the following specifications:

**Port Size:**

- 1 = 1/2" BSP (F) ports
- 2 = 1/2" NPT (F) ports

**Calibrated In:**

- Litres
- US Gallons

**Electrical Conduit Connection**

- 20mm (F) Conduit Thread
- 1/2" NPT

PPS = Polyphenylene Sulfide Resins



# M4 - 1/2" PULSE & LC DISPLAY METERS

## Options & Accessories

M4 - 1/2" METER	VITON O-RING	TEFLON O-RING	EPDM O-RING	HIGH TEMP ROTORS	HIGH VISCOSITY ROTORS	HALL EFFECT SENSOR	REED SWITCH	SOLVENT KIT	HASTALLOY C SHAFTS	PROTECTIVE BOOT DELUXE LCD	EXTENDED LIFE BATTERY DELUXE LCD	REMOTE MOUNTED LC DISPLAY	HEATING JACKET	4-20mA MODULE
M4ARX-X	O	O	O	O	O	O	S	X	X	A	A	A	X	A
M4ASX-X	O	O	O	S	O	O	S	X	X	A	A	A	X	A
M4SRX-X	O	O	O	O	O	O	S	X	X	A	A	A	X	A
M4SSX-X	O	O	O	S	O	O	S	X	X	A	A	A	X	A

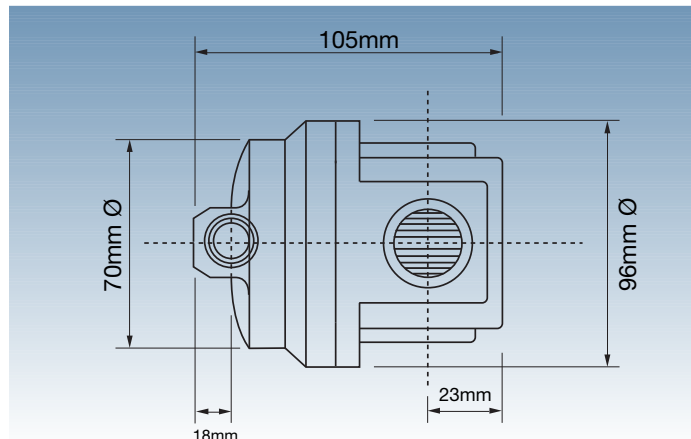
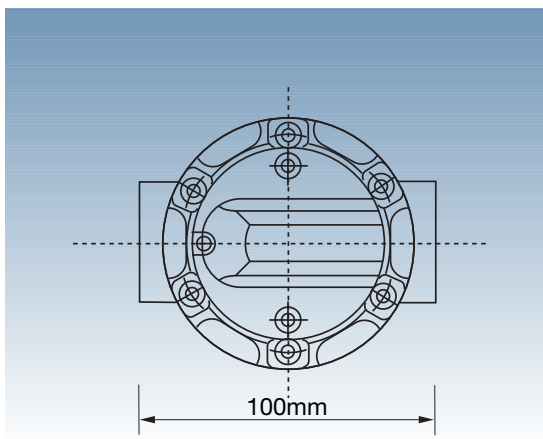
S = Standard

O = Optional

X = Not Available

A = Accessory

## Dimensions



Standard Display H 122mm x W 137mm  
 Deluxe Display H 122mm x W 137mm

TYPE M4 - 1/2" PULSE & LC DISPLAY METERS